

The E37 shutter is formed from double-skinned extruded aluminium. It is suitable for applications with small openings up to 12m<sup>2</sup> and enables the most compact box sizes of any of our roller shutters. A choice of operation types is available for the E37, with tubular motor, manual cord belt, manual spring and lock and manual rod and crank available.



### APPLICATIONS

Domestic and commercial sites, up to 12m<sup>2</sup>. The E37 rolling shutter is a robust and lightweight barrier which is concealed within a compact enclosure when fully open. It is ideal for window openings and pedestrian door entrances, either internally or externally mounted, with a face or reveal fit. Punched (V37) or Perforated (P37) profile slats may be incorporated as required for full or partial vision.

### CURTAIN SLAT

Double-skinned extruded aluminium.

Finish: White or Brown as standard. Option to powder coat any RAL / BS colour (surcharge applies).

Visible Face:	37.5mm
Weight per m <sup>2</sup> :	7.9kg
Maximum Width:	4000mm
Maximum Area:	12m <sup>2</sup> (electric operation) 9m <sup>2</sup> (manual operation)

### ENCLOSURE

Roll-formed aluminium enclosure with pressure-moulded aluminium end plates.

Finish: White or Brown as standard. Option to powder coat any RAL / BS colour (surcharge applies).

Guide Height (mm)	Plate Size (mm)
1050	150
1535	165
1820	180

2795	205
3550	250
4700	300

Plate sizes shown as a guide only and may vary.

### BOTTOM SLAT

Extruded aluminium bottom slat with rubber weather seal.

### GUIDE CHANNELS

Extruded aluminium guide channels with brush inserts. Width of 45mm, 53mm, 60mm HD or 66mm. Self-packing and circular surface guides available on request.

Finish: White or Brown as standard. Option to powder coat any RAL / BS colour (surcharge applies).

### OPERATION

**Electric:** Tubular motor & internal rocker or external key switch as standard. Safety brake as appropriate to comply with legislation. Manual override facility & crank handle as required (surcharge applies). Numerous control option variants such as group, remote or mobile phone activation.

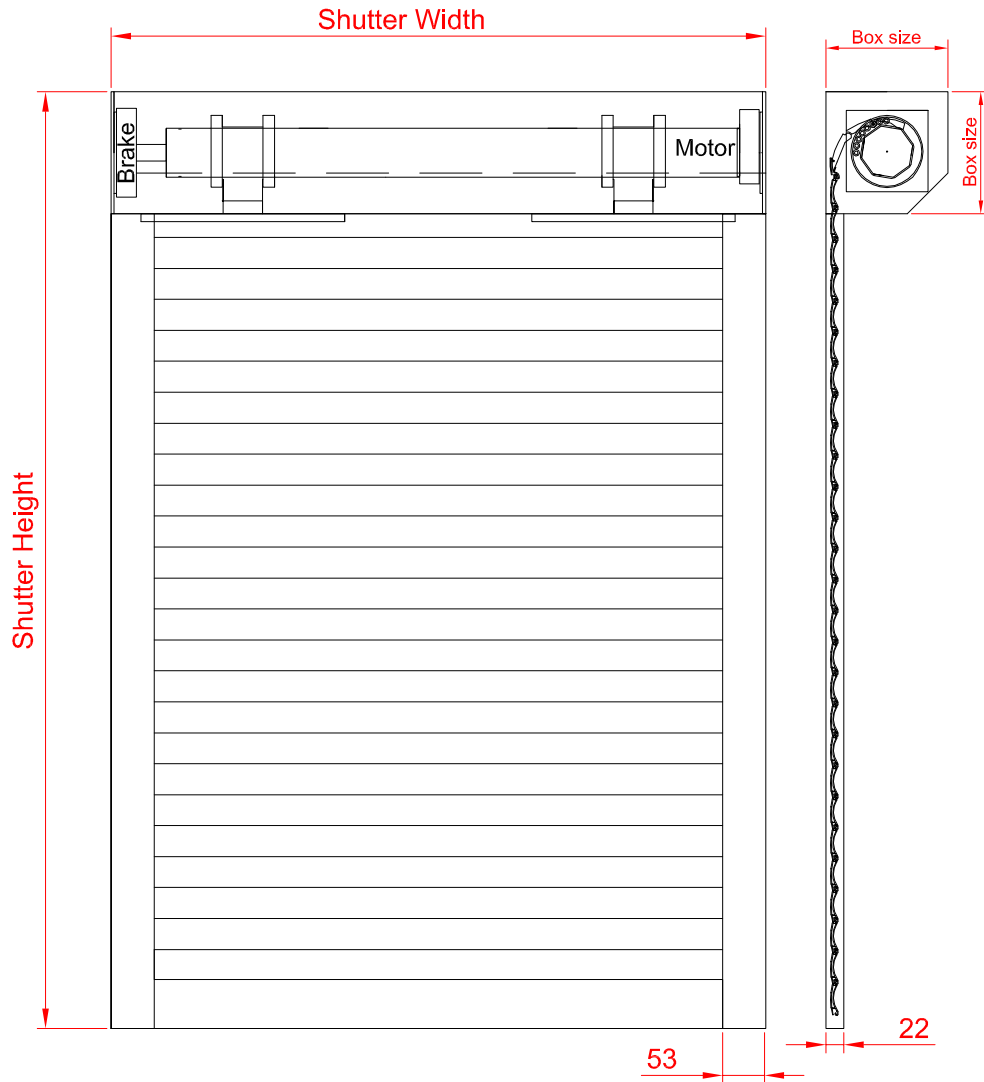
**Manual Cord Belt:** A swivel winder coils a belt attached to the rotating shutter barrel.

**Manual Rod & Crank:** Geared rod and crank handle winds the shutter.

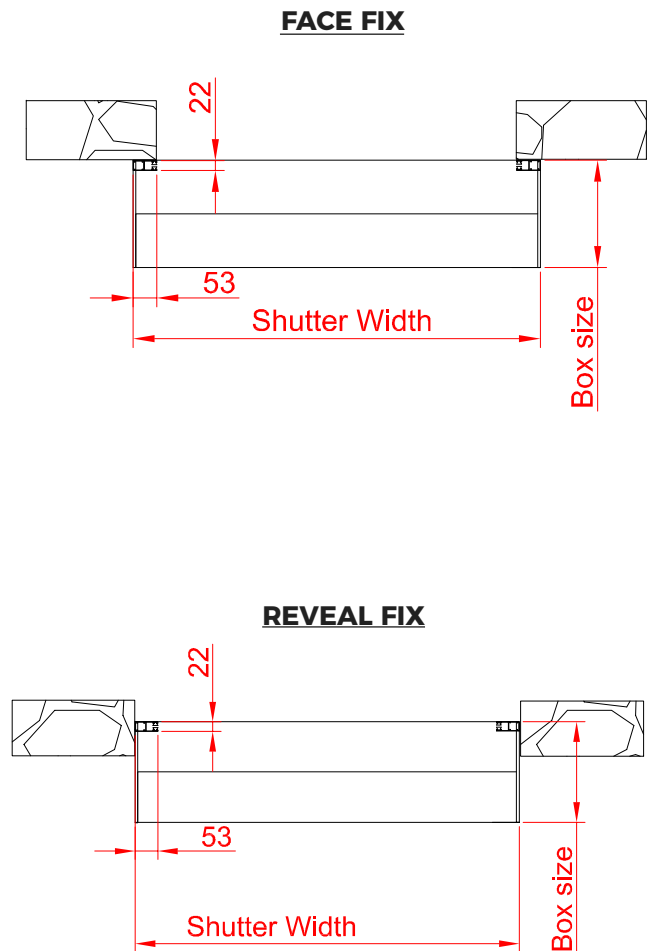
**Manual Spring & Lock:** A counter-balanced spring assembly with a key-lock bottom slat & handles.

CE compliant to all applicable directives and standards.

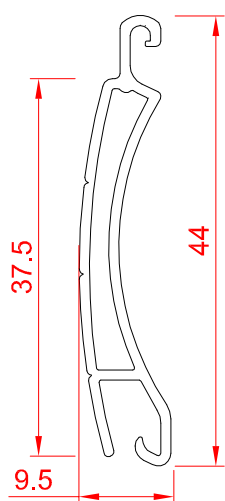
### FRONT FACE



### FIXING DETAIL



### SLAT PROFILE



### GUIDE CHANNELS

